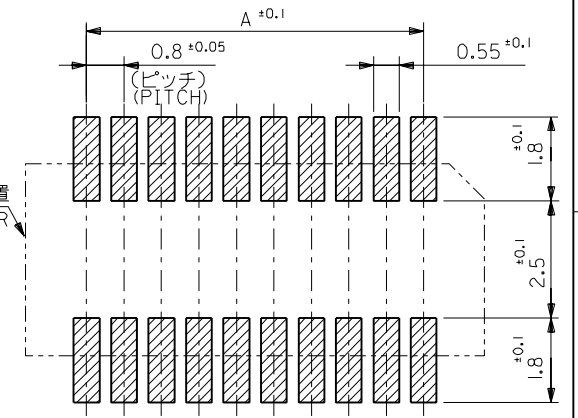
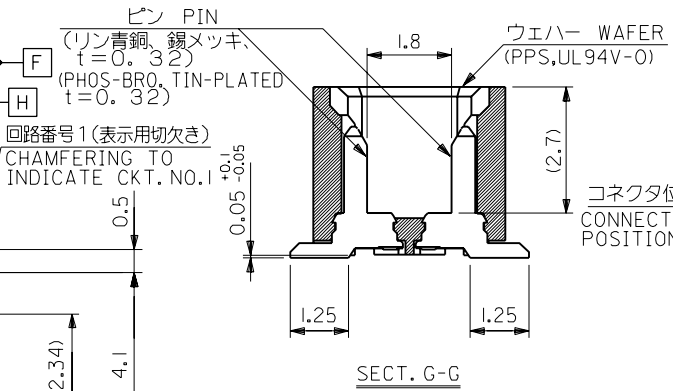


注記 NOTES
 1. 嵌合相手: 52465,52588
 MATE WITH: 52465,52588 SERIES
 △ ウエハーの ϕ から隣接するピンの ϕ 迄の位置を示す。
 SHOW POSITION FROM ϕ OF WAFER TO ϕ OF ADJACENT PINS.



参考基板レイアウト (マウント面)
 P.C.B. PATTERN LAYOUT (REF.) (MOUNT AREA)

| | | | | | |
|-----|------|------|------|------------|---------|
| 0.4 | 17.8 | 16.9 | 15.2 | 53307-4027 | 40 |
| 0.4 | 16.2 | 15.3 | 13.6 | -3627 | 36 |
| 0.8 | 15.4 | 14.5 | 12.8 | -3427 | 34 |
| 0.8 | 13.8 | 12.9 | 11.2 | -3027 | 30 |
| 0.4 | 13.0 | 12.1 | 10.4 | -2827 | 28 |
| 0.8 | 12.2 | 11.3 | 9.6 | -2627 | 26 |
| 0.4 | 11.4 | 10.5 | 8.8 | -2427 | 24 |
| 0.8 | 10.6 | 9.7 | 8.0 | -2227 | 22 |
| 0.4 | 9.8 | 8.9 | 7.2 | -2027 | 20 |
| 0.8 | 9.0 | 8.1 | 6.4 | -1827 | 18 |
| 0.4 | 8.2 | 7.3 | 5.6 | -1627 | 16 |
| 0.8 | 7.4 | 6.5 | 4.8 | -1427 | 14 |
| 0.4 | 6.6 | 5.7 | 4.0 | -1227 | 12 |
| 0.8 | 5.8 | 4.9 | 3.2 | 53307-1027 | 10 |
| D | C | B | A | ENG. NO. | 極数 CKT. |

| | | | | | |
|-------------------------|---------------|--------|-----------------------|----------|---------|
| 角度 ANGLE | $\pm 3^\circ$ | | | | |
| 30以上 OVER | +0.3 | B | 変更 REVISION (JCT0882) | 97/4/1 | |
| 10以上 30未満 UNDER | +0.25 | A | 変更 REVISION (JC60094) | 95/8/9 | |
| 10未満 UNDER | +0.2 | O | 新規作成 PROPOSED (J1100) | 91/11/16 | |
| 一般公差 GENERAL TOLERANCES | | 記号 LTR | 変更内容 REVISION RECORD | DR. DATE | 日付 DATE |

| | |
|--------------------|------------------|
| 材料 MATERIAL | ☑中参照 SEE DRAWING |
| 仕上げ FINISH | — |
| 適用電線範囲 WIRE RANGE | — |
| 被覆外径 INS. RANGE | — |
| DRAWN BY '91/11/14 | CHK'D BY '97/4/1 |
| K.ASAKAWA | Y.MIZUNO |
| APP'D BY '97/4/1 | 尺 度 SCALE |
| M.FUKUSHIMA | — |

molex MOLEX-JAPAN CO.,LTD.
 日本モレックス株式会社

REVISE ONLY ON CAD SYSTEM

TITLE 名称
 0.8 BOARD TO BOARD CONN.
 WAFER ASS'Y ST. SMT
 (WITHOUT BOSS)

DWG. NO. (SHEET 1 OF 2) REV
 SD-53307-**-27 B

DWG. NO. SD-53307-**-27

E

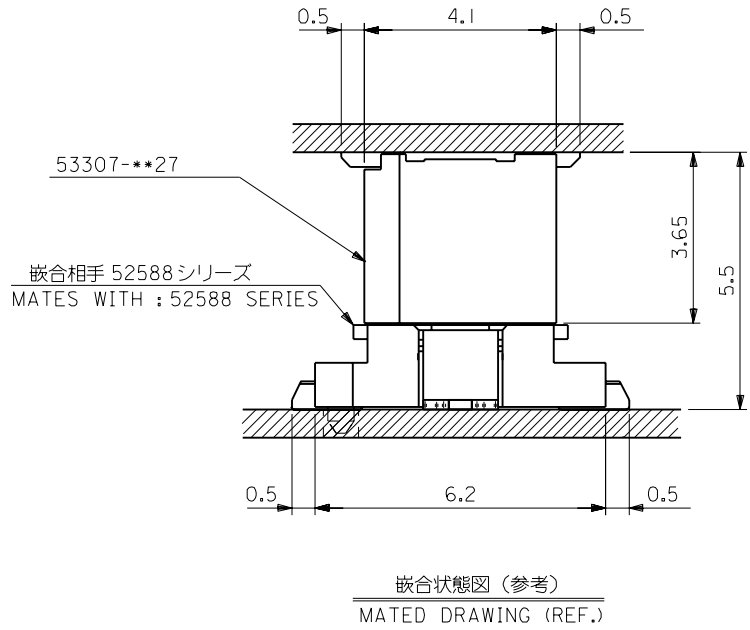
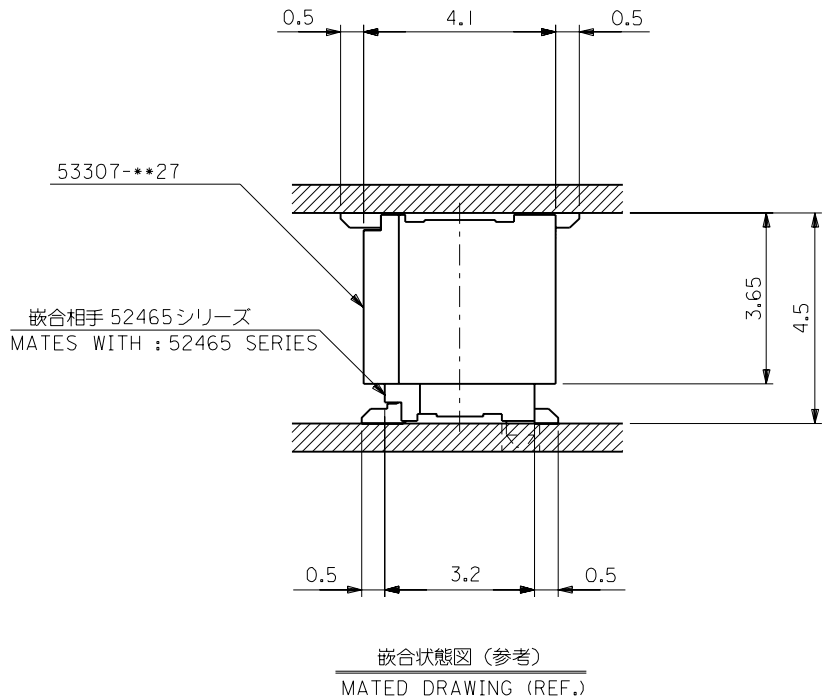
D

C

B

A

MM DIMENSIONS IN METRIC DO NOT SCALE DRAWING



| | | | | | | | | | |
|-------------------------|-------|-----|---------------|----------------------|----------|---------|--|--|---------------------------------------|
| 角度 ANGLE | | ±3° | | | | | | | 材料 MATERIAL |
| 30以上 OVER | +0.3 | B | 変更 REVISION | (JC70882) | 97/4/1 | | | | SHEET 1 OF 2 参照 REFER TO SHEET 1 OF 2 |
| 10以上 30未満 OVER UNDER | +0.25 | A | 変更 REVISION | (JC60094) | 95/8/9 | | | | 仕上げ FINISH — |
| 10未満 UNDER | +0.2 | O | 新規作成 PROPOSED | (J11001) | 97/11/15 | | | | 適用電線範囲 WIRE RANGE — |
| 一般公差 GENERAL TOLERANCES | | | 記号 LTR | 変更内容 REVISION RECORD | DR. CHK. | 日付 DATE | | | 被覆外径 INS. RANGE — |
| | | | | | | | | | DRAWN BY '97/11/14 K.ASAKAWA |
| | | | | | | | | | CHK'D BY '97/4/1 Y.MIZUNO |
| | | | | | | | | | APP'D BY '97/4/1 M.FUKUSHIMA |
| | | | | | | | | | 尺度 SCALE — |

molex MOLEX-JAPAN CO.,LTD.
日本モレックス株式会社

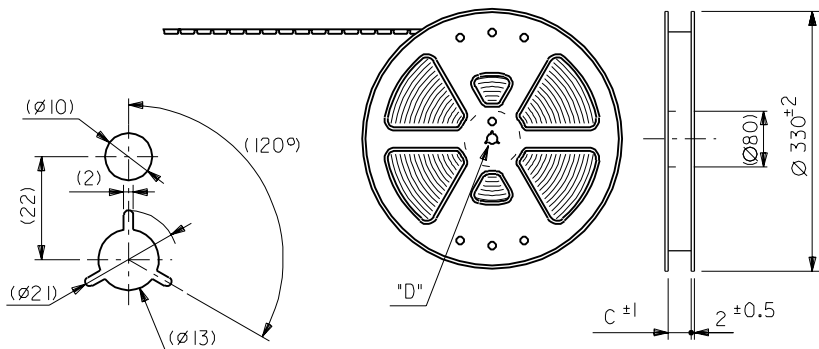
REVISE ONLY ON CAD SYSTEM

TITLE 名称
0.8 BOARD TO BOARD CONN.
WAFER ASS'Y ST. SMT
(WITHOUT BOSS)

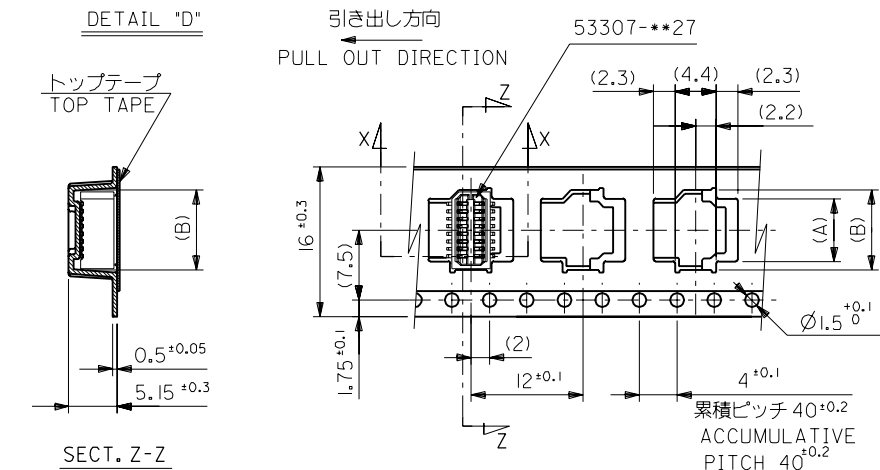
DWG. NO. (SHEET 2 OF 2) REV
SD-53307-**-27 B

DWG. NO. SD-53307-**-91

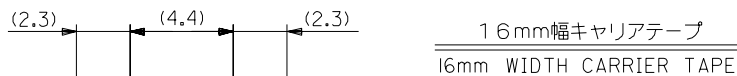
引き出し方向
PULL OUT DIRECTION



DETAIL "D"



SECT. Z-Z



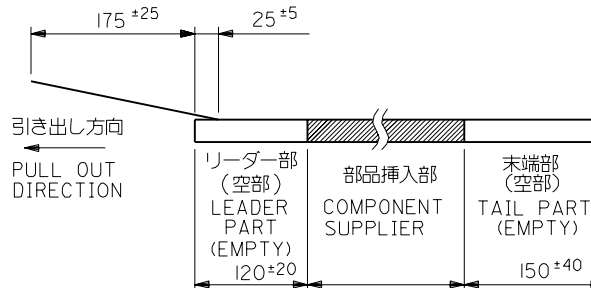
SECT. X-X
(SCALE:5-1)

注記 NOTES

1. 梱包数量：1000個/リール NUMBER OF CONNECTORS:1000PCS/REEL

2. リードテープ長さ LEAD TAPE LENGTH

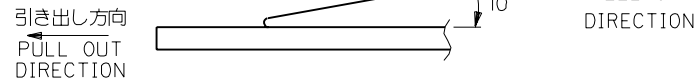
トップテープ リーダー部 TOP TAPE LEADER PART
トップテープ 未接着部 TOP TAPE NON-BONDED PART



3. トップテープの剥離強度：(剥離方向は下図参照)

0.1N~0.7N(10.2gf~71.4gf)尚、本規格値は、出荷時に適用。
(但し、輸送時に剥離が発生しない事。)

PEELING OFF FORCE OF TOP TAPE
0.1N~0.7N(10.2gf~71.4gf)(PEELING DIRECTION AS SHOWN IN FOLLOWING FIG.)
THIS REQUIREMENT SHOULD BE APPLIED AT SHIPMENT
PEEL OFF SHOULD NOT BE ALLOWED, DURING TRANSPORTATION



4. 材料

キャリアテープ：ポリプロピレン (PP) MATERIAL CARRIER TAPE:POLYPROPYLENE
トップテープ：PET, PE, PEF TOP TAPE:PET,PE,PEF
リール：ポリスチレン (PS) REEL:POLYSTYREN(PS)
<リサイクル材を含む> <RECYCLE MATERIAL CONTAINED>

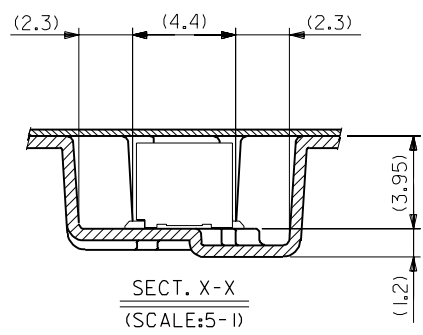
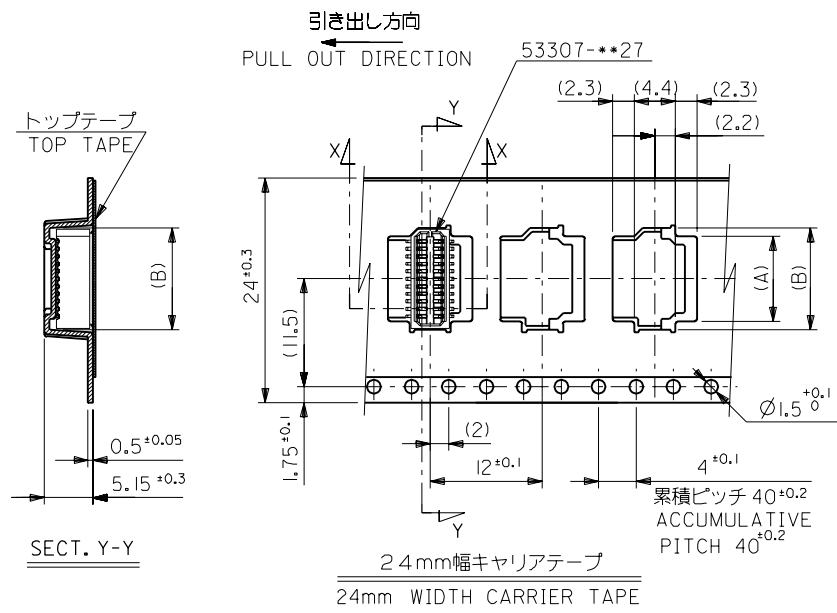
| | | | | | |
|--------------------------------|------|-----|-----|------------|---------------|
| 16 | 17.5 | 9.3 | 7.5 | 53307-1891 | 18 |
| | | 8.5 | 6.7 | 53307-1691 | 16 |
| | | 7.7 | 5.9 | 53307-1491 | 14 |
| | | 6.9 | 5.1 | 53307-1291 | 12 |
| | | 6.1 | 4.3 | 53307-1091 | 10 |
| キャリアテープ幅 CARRIER TAPE WIDTH | C | (B) | (A) | ENG. NO. | 極数 CIRCUIT |

| | | | | | |
|-------------------------|-------|--------|-------------------------|----------|---------|
| 角度 ANGLE | ±3° | | | | |
| 30以上 OVER | +0.5 | B | 変更 REVISD (JC2001-0479) | 10/11/22 | |
| 10以上 30未満 UNDER | +0.25 | A | 変更 REVISD (JC70882) | 97/4/1 | |
| 10未満 UNDER | +0.2 | O | 新規作成 PROPOSED (J11065) | 19/11/22 | |
| 一般公差 GENERAL TOLERANCES | | 記号 LTR | 変更内容 REVISION RECORD | DR. CHK. | 日付 DATE |

| | |
|-------------------------------|-------------------------|
| 材料 MATERIAL | 注記参照 SEE NOTES |
| 仕上げ FINISH | -- |
| 適用電線範囲 WIRE RANGE | -- |
| 被覆外径 INS. RANGE | -- |
| DRAWN BY 91/11/22 K.ASAKAWA | CHK'D BY 00/12/20 T.ITO |
| APP'D BY 00/12/20 M.FUKUSHIMA | 尺度 SCALE -- |

| | |
|---|-------|
| molex MOLEX-JAPAN CO.,LTD. 日本モレックス株式会社 | |
| REVISE ONLY ON CAD SYSTEM | |
| TITLE 名称 0.8 B-To-B WAFER Assy SMT Embstp Pkg | |
| DWG. NO. (SHEET 1 OF 2) SD-53307-**-91 | REV B |

DWG. NO. SD-53307-***91



| | | | | | |
|--------------------------------|------|------|------|------------|---------------|
| 24 | 25.5 | 14.1 | 12.3 | 53307-3091 | 30 |
| | | 13.3 | 11.5 | 53307-2891 | 28 |
| | | 12.5 | 10.7 | 53307-2691 | 26 |
| | | 11.7 | 9.9 | 53307-2491 | 24 |
| | | 10.9 | 9.1 | 53307-2291 | 22 |
| | | 10.1 | 8.3 | 53307-2091 | 20 |
| キャリアテープ幅 CARRIER TAPE WIDTH | C | (B) | (A) | ENG. NO. | 極数 CIRCUIT |

| | | | | | | | | | | |
|----------------------------|-------|-----------|-------------------------|---------------|------------|----------|-----------------------------------|--|-----------------------------|---|
| 角度 ANGLE | | 3° | | | | | 材料 MATERIAL | SHEET 1 OF 2 参照 REFER TO SHEET 1 OF 2 | | MOLEX-JAPAN CO.,LTD. 日本モレックス株式会社 |
| 30以上 OVER | +0.5 | B | 変更 REVISED | (JC2001-0479) | 1/1 | 00/12/20 | 仕上げ FINISH | — / — | | |
| 10以上 30未満 OVER UNDER | +0.25 | A | 変更 REVISED | (JC70882) | 1/1 | 97/4/1 | 適用電線範囲 WIRE RANGE | — / — | | TITLE 名称 |
| 10未満 UNDER | +0.2 | O | 新規作成 PROPOSED | (J11065) | 1/1 | 99/11/22 | 被覆外径 INS. RANGE | — / — | | 0.8 B-To-B WAFER Assy SMT Embstp Pkg |
| 一般公差 GENERAL TOLERANCES | | 記号 LTR | 変更内容 REVISION RECORD | DR. | 日付 DATE | | DRAWN BY '99/11/22 K.ASAKAWA | CHK'D BY '00/12/20 T.IITO | DWG. NO. (SHEET 2 OF 2) REV | |
| | | | | DR. CHK. | DATE | | APP'D BY '00/12/20 M.FUKUSHIMA | 尺度 SCALE | SD-53307-***91 B | |

THIS DRAWING CONTAINS INFORMATION THAT IS PROPRIETARY TO MOLEX(JAPAN) AND SHOULD NOT BE USED WITHOUT WRITTEN PERMISSION
本図面は日本モレックス(株)の所有する情報を含むもので 当社の許可なく複製を禁止する。 EN-01C(C032)MXJ-32

DIMENSIONS IN METRIC DO NOT SCALE DRAWING

5949924A.S06